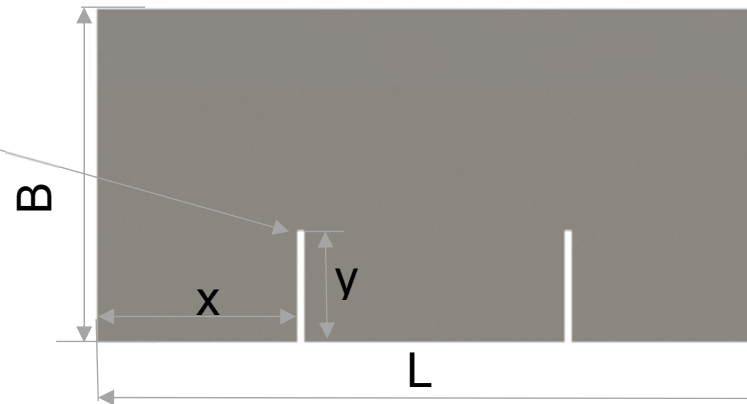


Slot optional  
(1/3 B)  
on request only  
please specify x - y



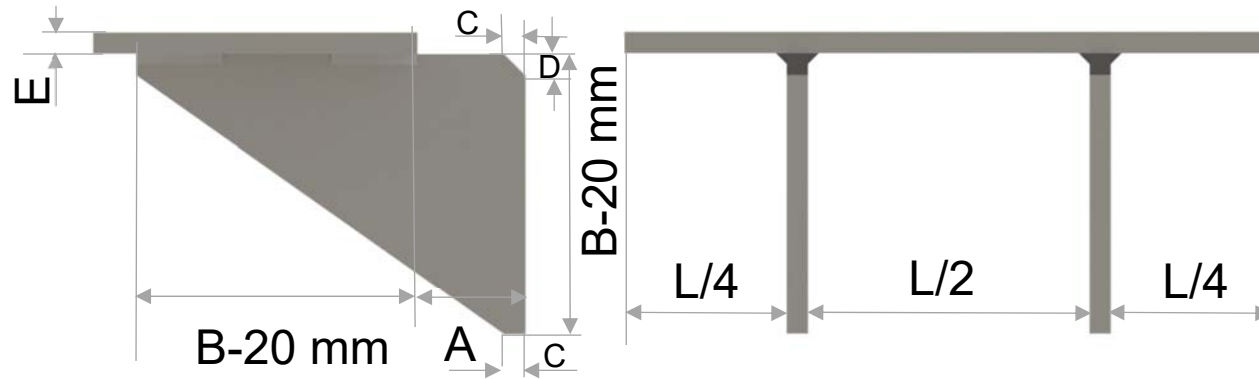
<b>S. 10 - 400 - 180 - 2 -10-10- 310S</b>							
TYPE	THK	LENGTH	LENGTH	NUMBER OF	C	D	ALLOY
	E	L	B	GUSSETS			

www.anchorsforrefractory.com  
contact@anchorsforrefractory.com

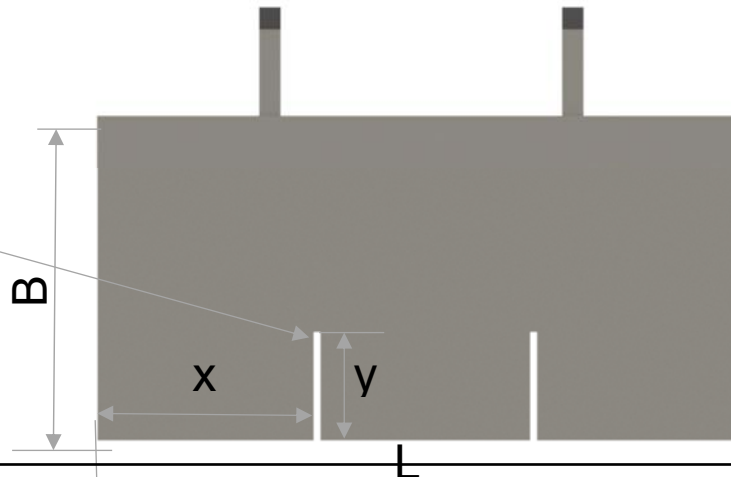


Tél : + 33 3 66 50 00 33 / +33 7 85 06 29 49  
PA Vallée de l'Escaut - rue de la crête - 59264 ONNAING-France

These informations are general informative indications. Many particular conditions of use and exceptions exist in industrial applications, many parameters can influence the technical choices. The informations mentioned in this technical data sheet, in particular regarding the features and the performances of the products, is provided for guidance purposes only and is liable to change depending of the conditions of use and environment. Information mentioned can be modified without notice. The company ANCHORS will in no circumstances be held liable for the consequences of any improper use. If you want some suggestions from us, applicable for your specific application and/or environment, please contact us.



Slot optional  
(1/3 B)  
on request only  
please specify x-y



SA. 10 - 400 - 180 - 50 - 2 - 10-10 310S								
TYPE	THK	LENGTH	LENGTH	LENGTH	NUMBER OF	C	D	ALLOY
	E	L	B	A	GUSSETS			

www.anchorsforrefractory.com  
contact@anchorsforrefractory.com



Tél : + 33 3 66 50 00 33 / +33 7 85 06 29 49  
PA Vallée de l'Escaut - rue de la crête - 59264 ONNAING-France

These informations are general informative indications. Many particular conditions of use and exceptions exist in industrial applications, many parameters can influence the technical choices. The informations mentioned in this technical data sheet, in particular regarding the features and the performances of the products, is provided for guidance purposes only and is liable to change depending of the conditions of use and environment. Information mentioned can be modified without notice. The company ANCHORS will in no circumstances be held liable for the consequences of any improper use. If you want some suggestions from us, applicable for your specific application and/or environment, please contact us.