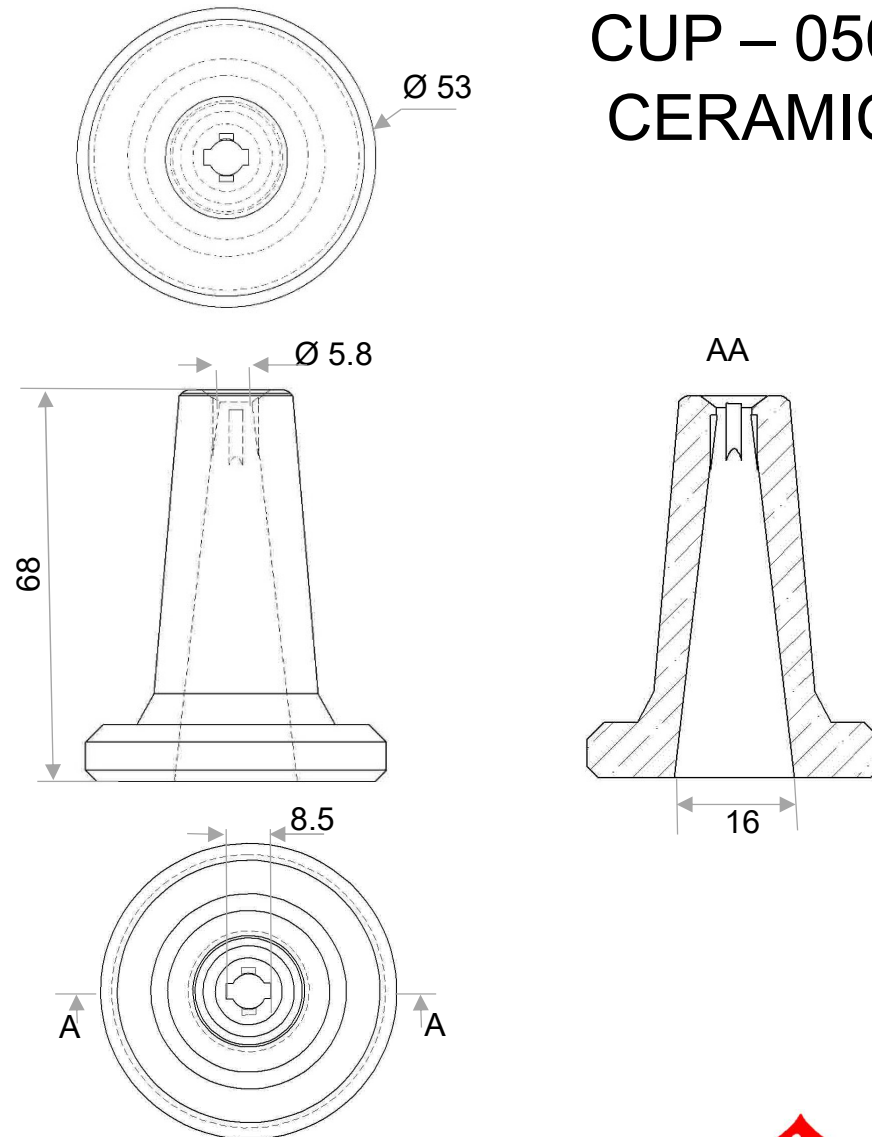


CUP – 050 - FIBERFIX CERAMIC CUPLOCK



TO USE WITH FIBERFIX
SEE PAGE D2-06

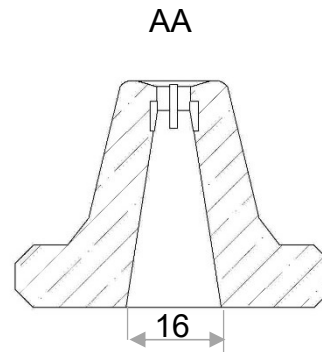
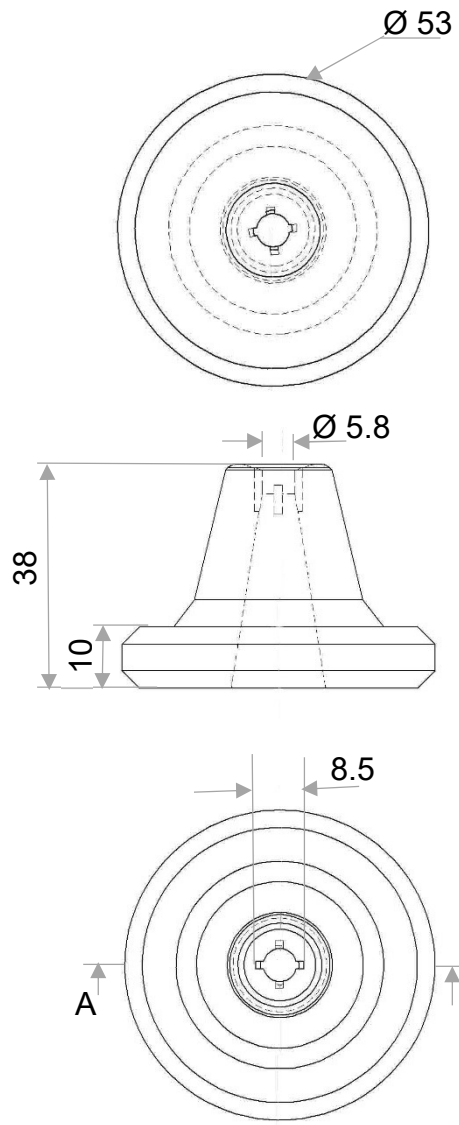
www.anchorsforrefractory.com
contact@anchorsforrefractory.com



Tél : + 33 3 66 50 00 33 / +33 7 85 06 29 49
PA Vallée de l'Escaut - rue de la crête - 59264 ONNAING-France

These informations are general informative indications. Many particular conditions of use and exceptions exist in industrial applications, many parameters can influence the technical choices. The informations mentioned in this technical data sheet, in particular regarding the features and the performances of the products, is provided for guidance purposes only and is liable to change depending of the conditions of use and environment. Information mentioned can be modified without notice. The company ANCHORS will in no circumstances be held liable for the consequences of any improper use. If you want some suggestions from us, applicable for your specific application and/or environment, please contact us.

CUP – 025- FIBERFIX CERAMIC CUPLOCK



TO USE WITH FIBERFIX
SEE PAGE D2-06

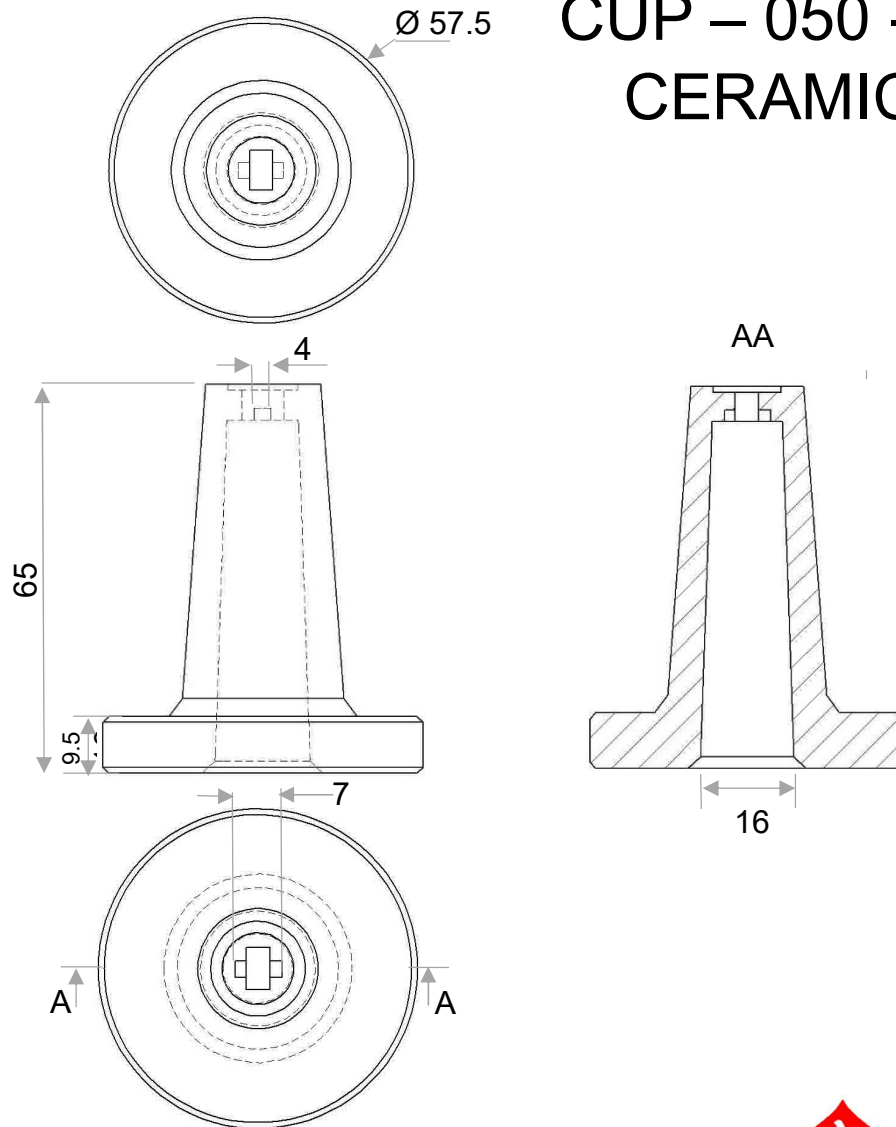
www.anchorsforrefractory.com
contact@anchorsforrefractory.com



Tél : + 33 3 66 50 00 33 / +33 7 85 06 29 49
PA Vallée de l'Escaut - rue de la crête - 59264 ONNAING-France

These informations are general informative indications. Many particular conditions of use and exceptions exist in industrial applications, many parameters can influence the technical choices. The informations mentioned in this technical data sheet, in particular regarding the features and the performances of the products, is provided for guidance purposes only and is liable to change depending of the conditions of use and environment. Information mentioned can be modified without notice. The company ANCHORS will in no circumstances be held liable for the consequences of any improper use. If you want some suggestions from us, applicable for your specific application and/or environment, please contact us.

CUP – 050 - INSULTWIST CERAMIC CUPLOCK



TO USE WITH INSULTWIST
SEE PAGE D4-02

www.anchorsforrefractory.com
contact@anchorsforrefractory.com

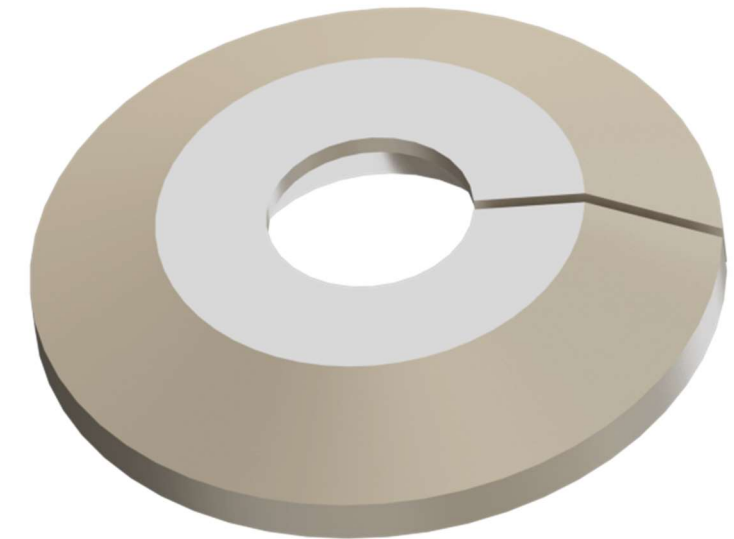
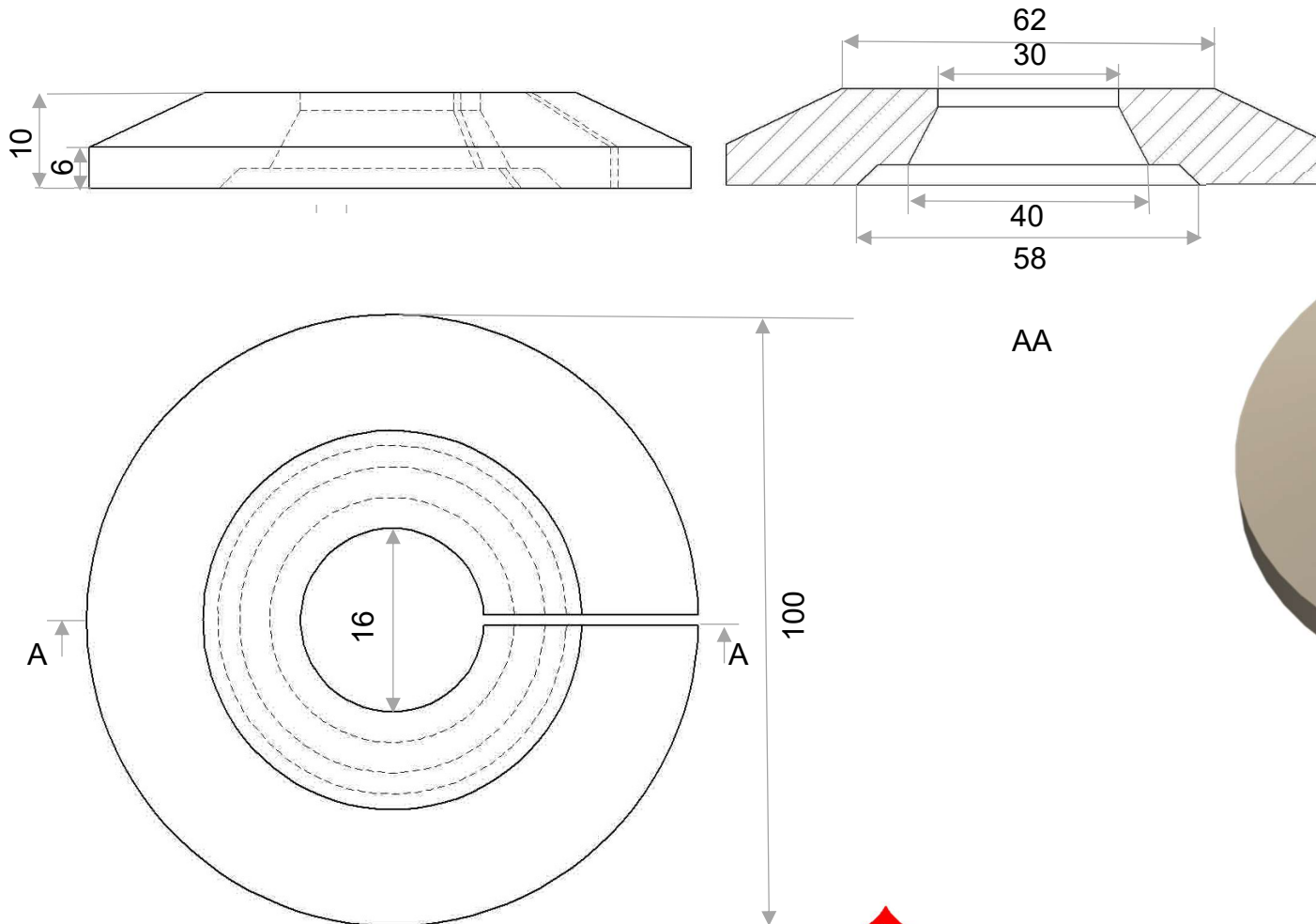


Tél : + 33 3 66 50 00 33 / +33 7 85 06 29 49

PA Vallée de l'Escaut - rue de la crête - 59264 ONNAING-France

These informations are general informative indications. Many particular conditions of use and exceptions exist in industrial applications, many parameters can influence the technical choices. The informations mentioned in this technical data sheet, in particular regarding the features and the performances of the products, is provided for guidance purposes only and is liable to change depending of the conditions of use and environment. Information mentioned can be modified without notice. The company ANCHORS will in no circumstances be held liable for the consequences of any improper use. If you want some suggestions from us, applicable for your specific application and/or environment, please contact us.

WAS – 100 CERAMIC CUPLOCK



TO USE WITH CUPLOCK
SEE PAGE D5-01/D5-02/D5-03

www.anchorsforrefractory.com
contact@anchorsforrefractory.com



Tél : + 33 3 66 50 00 33 / +33 7 85 06 29 49
PA Vallée de l'Escaut - rue de la crête - 59264 ONNAING-France

These informations are general informative indications. Many particular conditions of use and exceptions exist in industrial applications, many parameters can influence the technical choices. The informations mentioned in this technical data sheet, in particular regarding the features and the performances of the products, is provided for guidance purposes only and is liable to change depending of the conditions of use and environment. Information mentioned can be modified without notice. The company ANCHORS will in no circumstances be held liable for the consequences of any improper use. If you want some suggestions from us, applicable for your specific application and/or environment, please contact us.