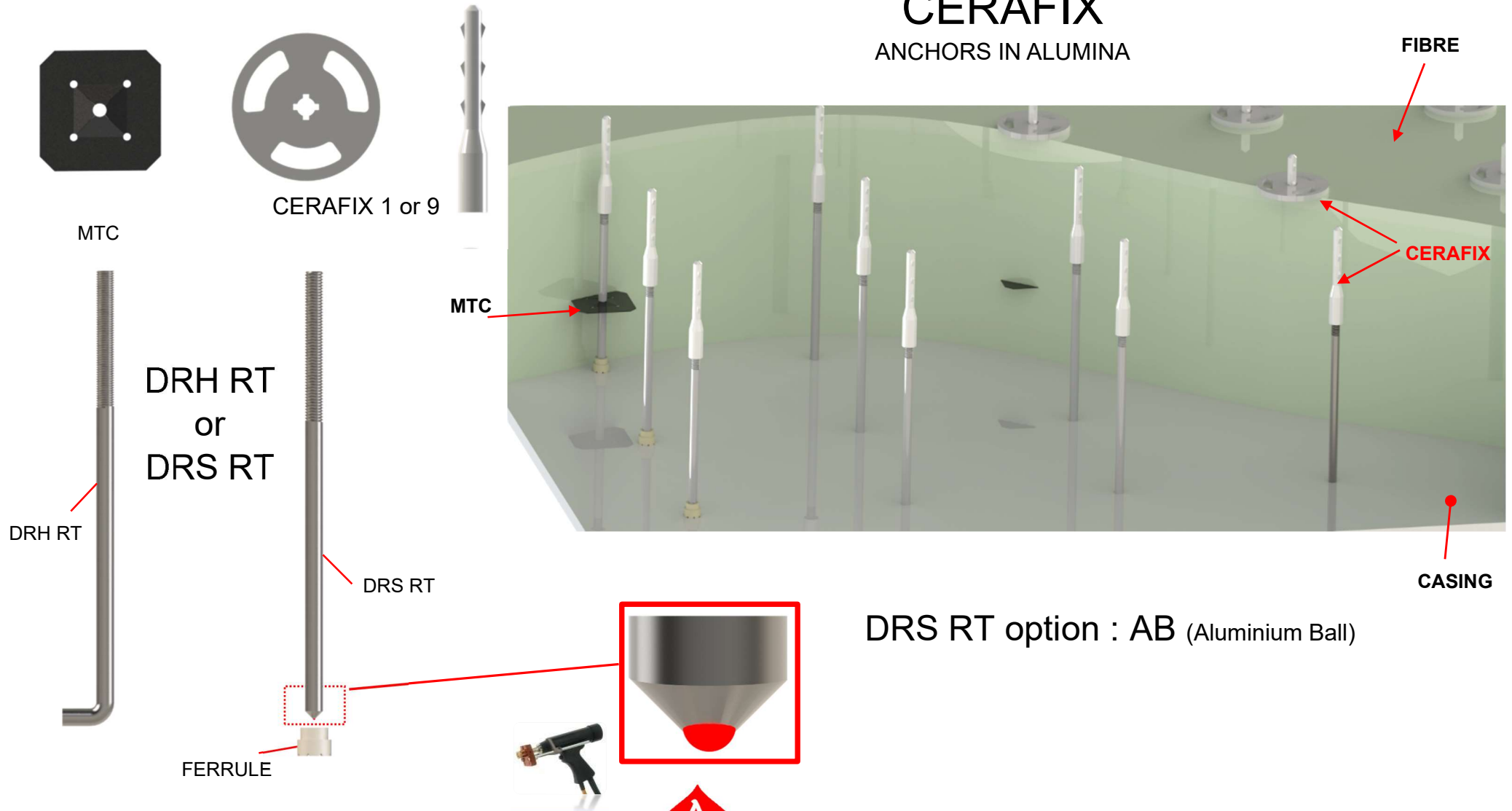


CERAFIX

ANCHORS IN ALUMINA



DRS RT option : AB (Aluminium Ball)

www.anchorsforrefractory.com
contact@anchorsforrefractory.com



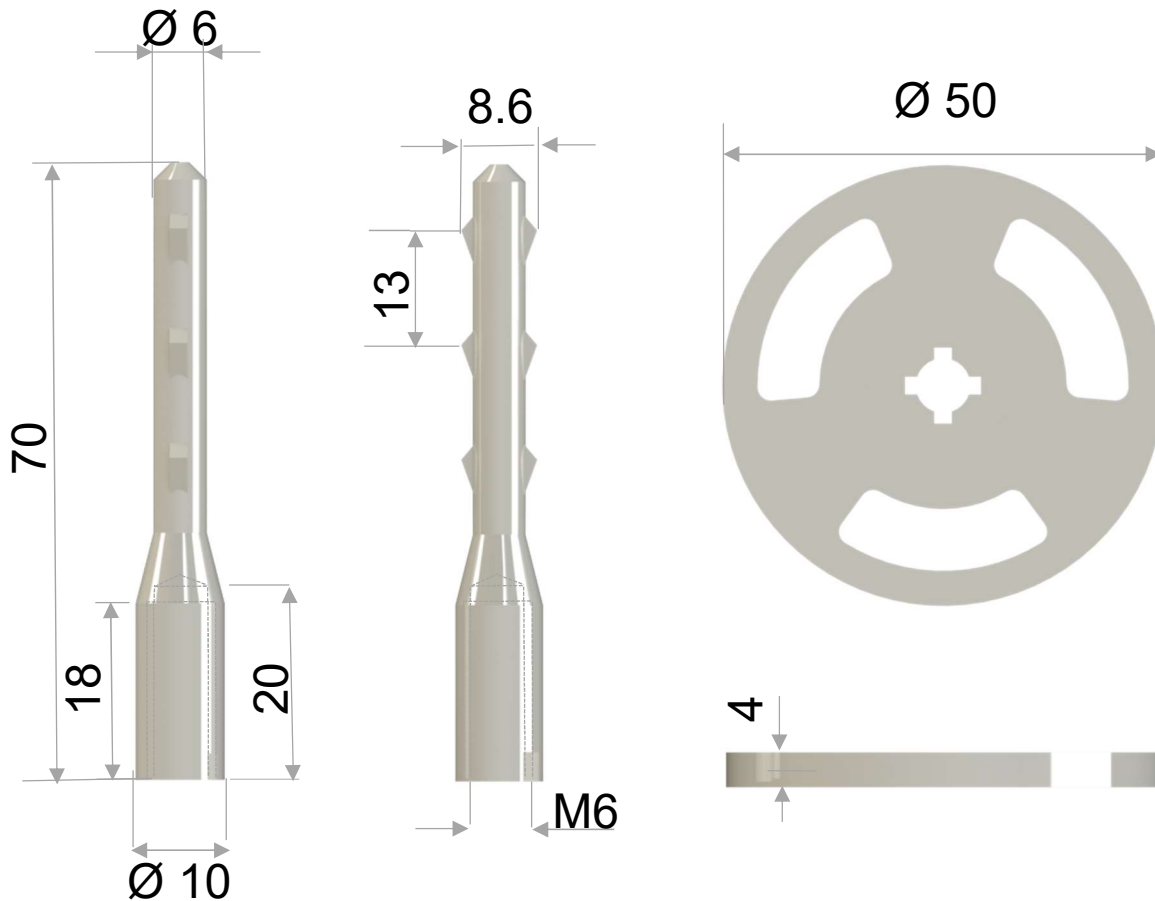
Tél : + 33 3 66 50 00 33 / +33 7 85 06 29 49
PA Vallée de l'Escaut - rue de la crête - 59264 ONNAING-France

These informations are general informative indications. Many particular conditions of use and exceptions exist in industrial applications, many parameters can influence the technical choices. The informations mentioned in this technical data sheet, in particular regarding the features and the performances of the products, is provided for guidance purposes only and is liable to change depending of the conditions of use and environment. Information mentioned can be modified without notice. The company ANCHORS will in no circumstances be held liable for the consequences of any improper use. If you want some suggestions from us, applicable for your specific application and/or environment, please contact us.

CERAFIX 1

ANCHORS IN ALUMINA

Al₂O₃ content > 95%



Our recommendations:

- To be screwed on DRS RT or DRH RT
- Order DRS RT (rolled thread) against DRS CT (cut thread)

See page D2-02

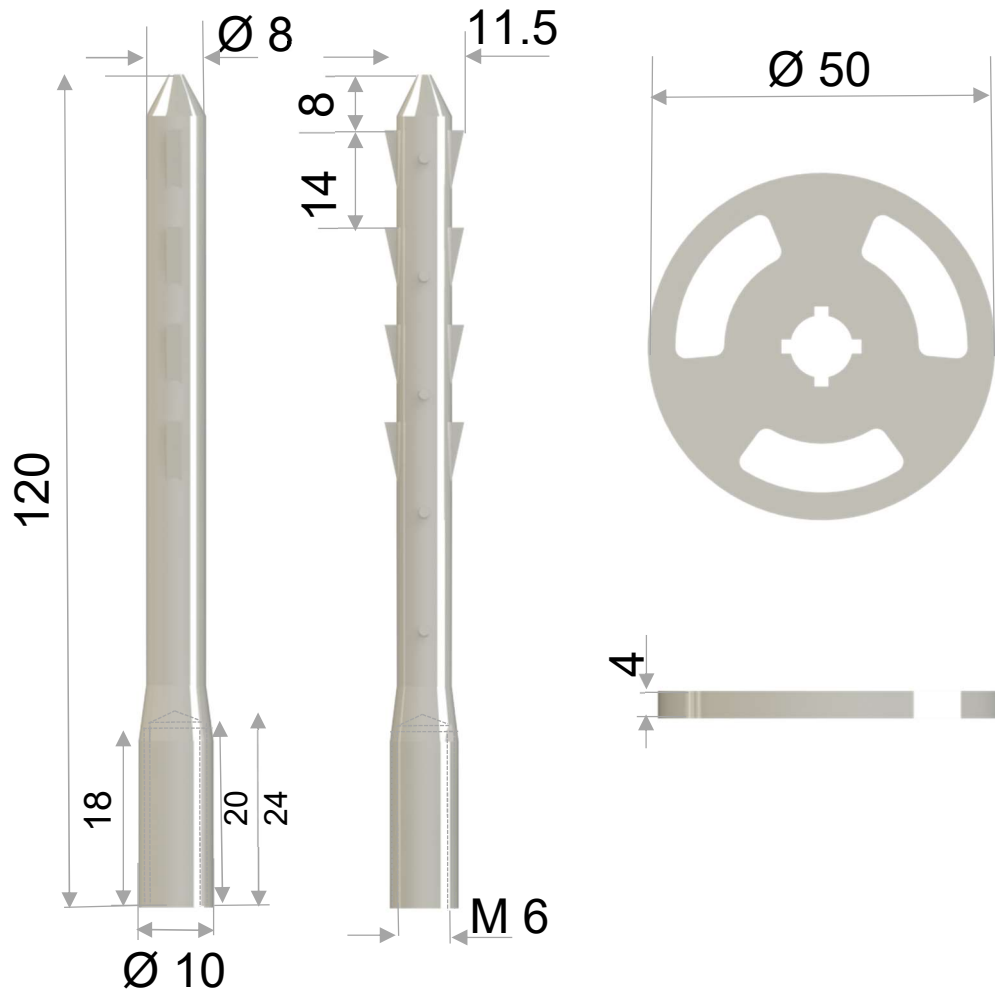
www.anchorsforrefractory.com
contact@anchorsforrefractory.com



Tél : + 33 3 66 50 00 33 / +33 7 85 06 29 49

PA Vallée de l'Escaut - rue de la crête - 59264 ONNAING-France

These informations are general informative indications. Many particular conditions of use and exceptions exist in industrial applications, many parameters can influence the technical choices. The informations mentioned in this technical data sheet, in particular regarding the features and the performances of the products, is provided for guidance purposes only and is liable to change depending of the conditions of use and environment. Information mentioned can be modified without notice. The company ANCHORS will in no circumstances be held liable for the consequences of any improper use. If you want some suggestions from us, applicable for your specific application and/or environment, please contact us.



CERAFIX 9

ANCHORS IN ALUMINA

Al₂ O₃ content > 95%



Our recommendations:

- To be screwed on DRS or DRH
- Order DRS RT (rolled thread) against DRS CT (cut thread)

See page D2-02

www.anchorsforrefractory.com
contact@anchorsforrefractory.com



Tél : + 33 3 66 50 00 33 / +33 7 85 06 29 49

PA Vallée de l'Escaut - rue de la crête - 59264 ONNAING-France

These informations are general informative indications. Many particular conditions of use and exceptions exist in industrial applications, many parameters can influence the technical choices. The informations mentioned in this technical data sheet, in particular regarding the features and the performances of the products, is provided for guidance purposes only and is liable to change depending of the conditions of use and environment. Information mentioned can be modified without notice. The company ANCHORS will in no circumstances be held liable for the consequences of any improper use. If you want some suggestions from us, applicable for your specific application and/or environment, please contact us.