

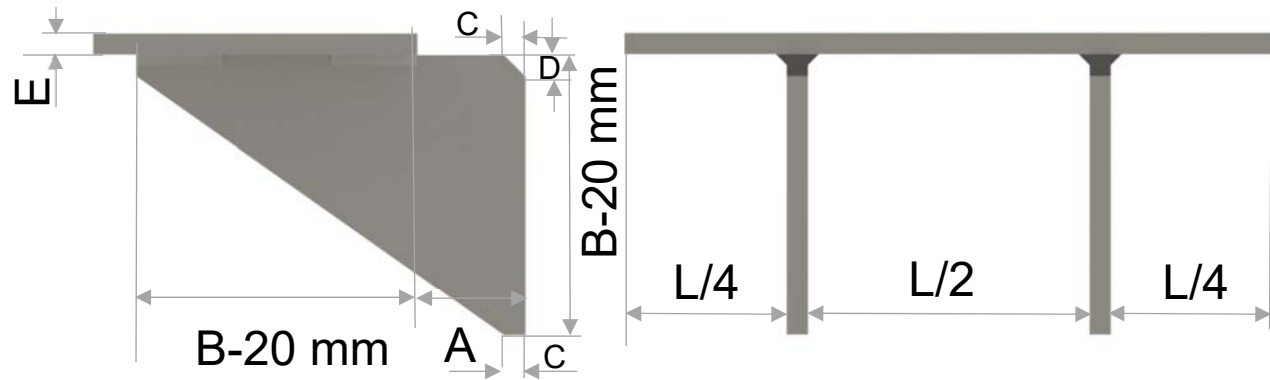
S. 10 - 400 - 180 - 2 -10-10- 310S							
TYPE	THK	LENGTH	LENGTH	NUMBER OF	C	D	ALLOY
	E	L	B	GUSSETS			

www.anchorsforrefractory.com
contact@anchorsforrefractory.com

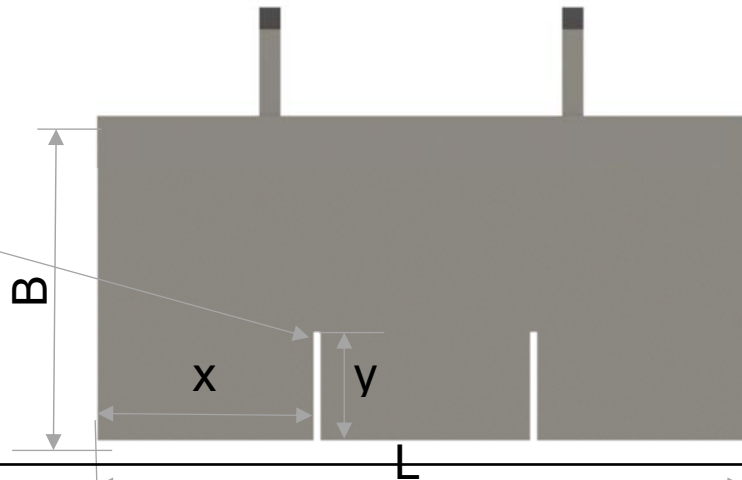


Tél : + 33 3 66 50 00 33 / +33 7 85 06 29 49
PA Vallée de l'Escaut - rue de la crête - 59264 ONNAING-France

These informations are general informative indications. Many particular conditions of use and exceptions exist in industrial applications, many parameters can influence the technical choices. The informations mentioned in this technical data sheet, in particular regarding the features and the performances of the products, is provided for guidance purposes only and is liable to change depending of the conditions of use and environment. Information mentioned can be modified without notice. The company ANCHORS will in no circumstances be held liable for the consequences of any improper use. If you want some suggestions from us, applicable for your specific application and/or environment, please contact us.



Slot optional
(1/3 B)
on request only
please specify x-y



SA. 10 - 400 - 180 - 50 - 2 - 10-10 310S

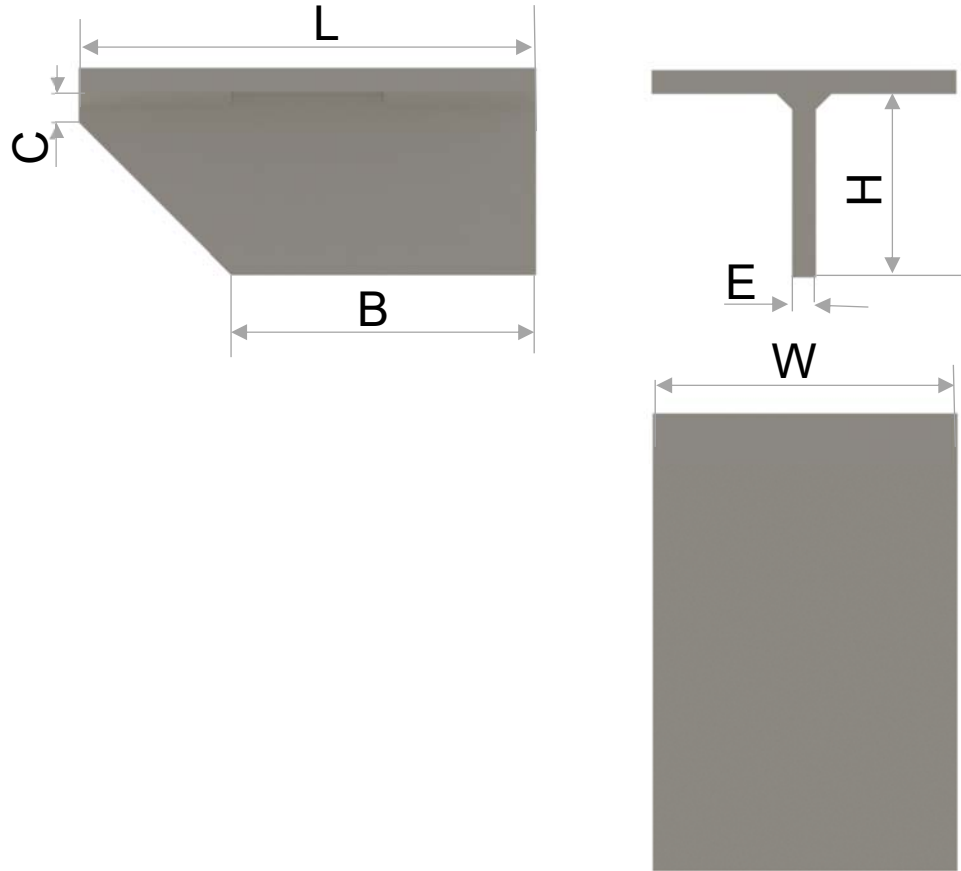
TYPE	THK E	LENGTH L	LENGTH B	LENGTH A	NUMBER OF GUSSETS	C	D	ALLOY
SA.	10	400	180	50	2	10	10	310S

www.anchorsforrefractory.com
contact@anchorsforrefractory.com



Tél : + 33 3 66 50 00 33 / +33 7 85 06 29 49
PA Vallée de l'Escaut - rue de la crête - 59264 ONNAING-France

These informations are general informative indications. Many particular conditions of use and exceptions exist in industrial applications, many parameters can influence the technical choices. The informations mentioned in this technical data sheet, in particular regarding the features and the performances of the products, is provided for guidance purposes only and is liable to change depending of the conditions of use and environment. Information mentioned can be modified without notice. The company ANCHORS will in no circumstances be held liable for the consequences of any improper use. If you want some suggestions from us, applicable for your specific application and/or environment, please contact us.



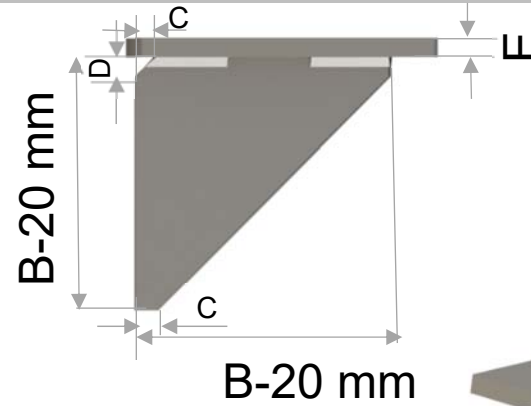
TB. 150 - 100 - 70 - 8 - 100 - 10 - 310S							
TYPE	LENGTH	LENGTH	LENGTH	THK	LENGTH	C	ALLOY
	L	W	H	E	B		

www.anchorsforrefractory.com
 contact@anchorsforrefractory.com

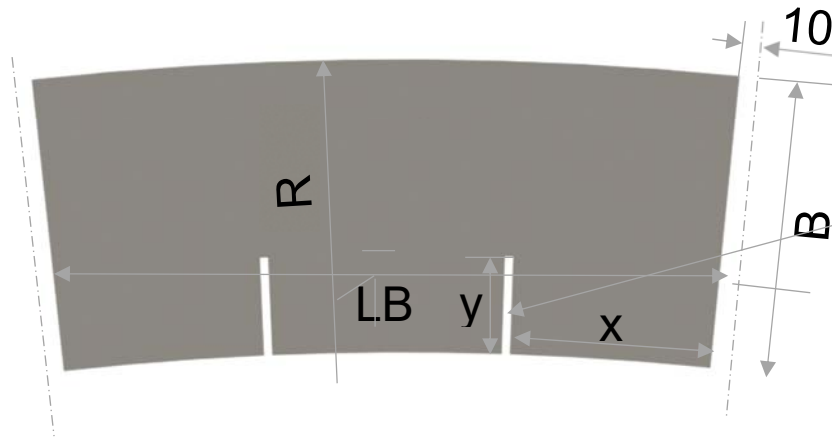


Tél : + 33 3 66 50 00 33 / +33 7 85 06 29 49
 PA Vallée de l'Escaut - rue de la crête - 59264 ONNAING-France

These informations are general informative indications. Many particular conditions of use and exceptions exist in industrial applications, many parameters can influence the technical choices. The informations mentioned in this technical data sheet, in particular regarding the features and the performances of the products, is provided for guidance purposes only and is liable to change depending of the conditions of use and environment. Information mentioned can be modified without notice. The company ANCHORS will in no circumstances be held liable for the consequences of any improper use. If you want some suggestions from us, applicable for your specific application and/or environment, please contact us.



Slot optional
(1/3 B)
on request only
please specify



R. 10 - 3000 - 400 - 150 - 2 - 10-10- 310S

TYPE	THK E	RADIUS R	LENGTH LB	LENGTH B	NUMBER OF GUSSETS	C	D	ALLOY

www.anchorsforrefractory.com
contact@anchorsforrefractory.com



Tél : + 33 3 66 50 00 33 / +33 7 85 06 29 49
PA Vallée de l'Escaut - rue de la crête - 59264 ONNAING-France

These informations are general informative indications. Many particular conditions of use and exceptions exist in industrial applications, many parameters can influence the technical choices. The informations mentioned in this technical data sheet, in particular regarding the features and the performances of the products, is provided for guidance purposes only and is liable to change depending of the conditions of use and environment. Information mentioned can be modified without notice. The company ANCHORS will in no circumstances be held liable for the consequences of any improper use. If you want some suggestions from us, applicable for your specific application and/or environment, please contact us.